



GENUINE PARTS

INSTALLATION INSTRUCTIONS

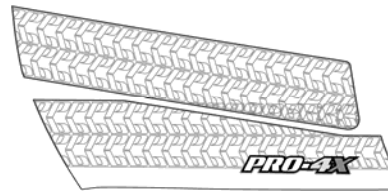
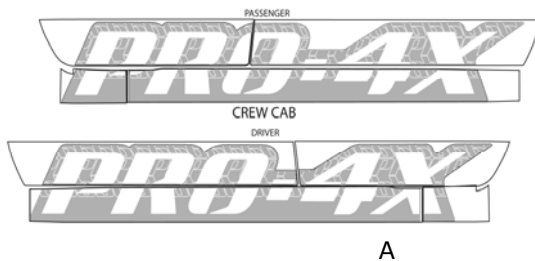
DESCRIPTION: Pro4X Graphic

APPLICATION: Frontier - Crew Cab

PART NUMBER: 999G1 BZ000

KIT CONTENTS:

Item	Qty.	Part Description	Service Part Number
A	1	Pro4X Graphic - Crew Cab	999G1 BZ000



TOOLS REQUIRED:

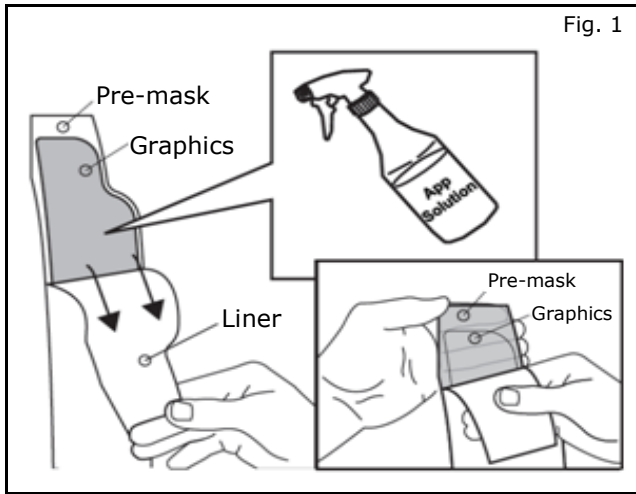
- 90% Isopropyl Alcohol
- Baby Shampoo
- 32 Ounce Spray Bottle
- Water
- Soft Lint Free Micro fiber Cloth
- Squeegee

PRE-INSTALLATION NOTES AND CAUTIONS:

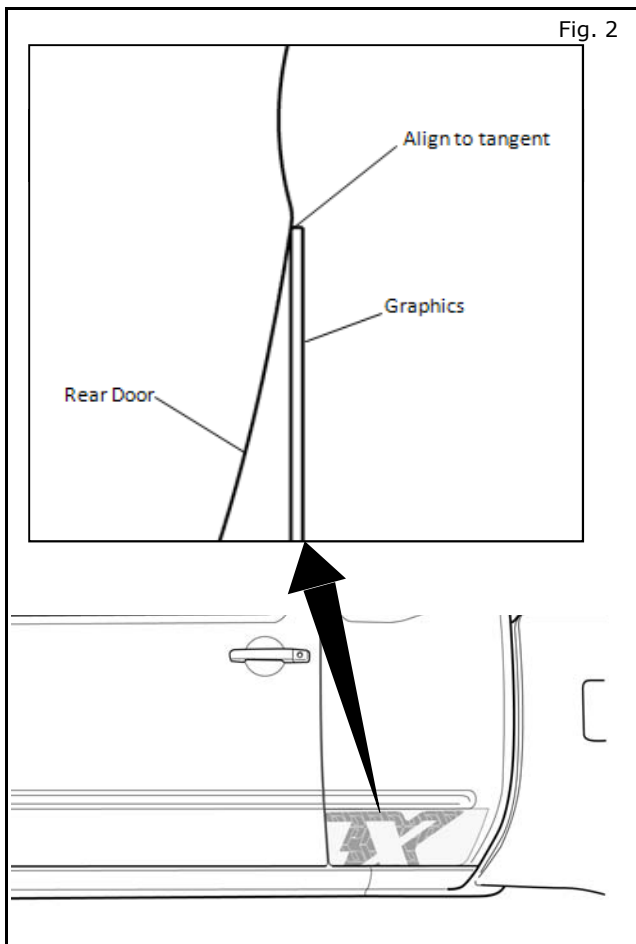
- **Dealer Installation Recommended.** Installation requires an experienced graphics installer.
- This product should be install with the proper installation tools.
- After opening the kit, check all parts.
- Install this kit while observing all warnings and precautions stated in these instrucitons.
- **VERY IMPORTANT:** Begin with a thoroughly washed clean vehicle.
- Install in a non-dusty environment.
- Use tabs when handling film so no finger prints are left on adhesive.
- Vehicle body surface and graphics must be at a minimum of 70°F for proper installation, With clean lint-free cloth, wipe the paint surface with isopropyl alcohol (safe on paint) just prior to the application of the graphics. Wipe with a dry, lint-free cloth. Change cloths frequently to eliminate build up of contaminants.
- Position the graphic in the correct vehicle location. Do not smooth it down with your hands! Thoroughly squeegee the entire surface of the graphic with firm, overlapping squeegee strokes.
- **Application Solution For Side Parts:** Fill a 32 spray bottle with 25% isopropyl alcohol, 75% water, and add 5-7 drops of baby shampoo.
- **Application Solution For Hood Parts:** Fill a 32 spray bottle water, and add 5-7 drops of baby shampoo. Do not use isopropyl alcohol to apply hood parts.
- If the graphic tends to lift off of the vehicle while premask is being removed, the cause is:
 - 1) Too much detergent in the spray bottle. (Rinse it out and use less detergent.)
 - 2) Not enough pressure on the film surface from the squeegee. Increase the pressure and ensure overlapping squeegee strokes.
- Avoid car washes for 3 days

INSTALLATION PROCEDURE:

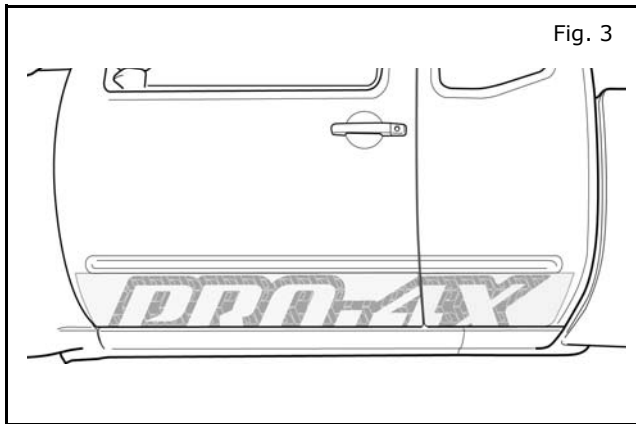
- 1) Using a clean lint free micro fiber cloth clean surface of side doors and lower sill with 90% or greater isopropyl alcohol. Allow area to dry completely.
- 2) Spray Rear Door surface with application solution.
- 3) Hold part by pre-mask and remove part liner.
- 4) Spray adhesive side with an even mist of application solution.



- 5) Align graphics pre-mask to front edge of door and lower tangent of radius of door feature. Make sure the top edge of pre-mask aligns to tangent along the entire length of part.
- 6) Beginning at the front top corner of the graphics, use squeegee to wet out top edge of graphics, working from top down.
- 7) As you use squeegee, apply firm pressure and overlap strokes to help eliminate bubbles
- 8) When rear door graphics is wetted out, leave pre-mask on to aid in aligning front door graphics.



INSTALLATION PROCEDURE:



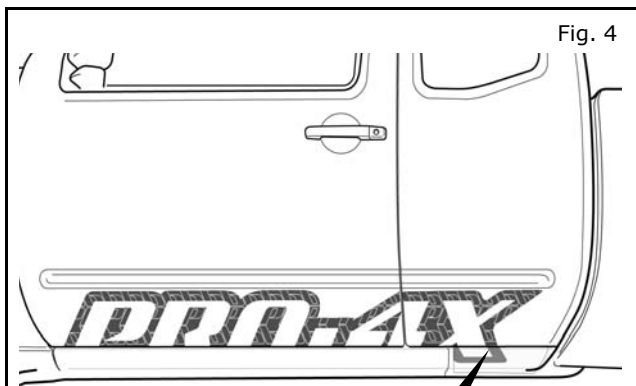
9) Using same technique shown in Fig. 1 and 2, apply Front Door graphics by aligning back edge of graphics to back edge of door and top edge to tangent.

10) Beginning at the rear top corner of the graphics, use squeegee to wet out top edge of graphics, working from top down.

11) Before wetting out entire part, make sure front and rear door graphics are aligned to each other.

12) Wet out entire part, using firm, overlapping strokes.

13) Remove pre-mask from both door graphics



14) Using same technique shown in Fig. 1, apply Rear Sill graphics. Align front edge of pre-mask with rear edge gap weld gap between front and rear sills.

15) Open Door and align top edge of graphics to lower tangent of step at top of lower rear sill.

16) Make sure rear sill graphics line up with rear door graphics.

17) Wet out top portion of graphics first, ensuring entire top edge has adhered by using firm overlapping strokes.

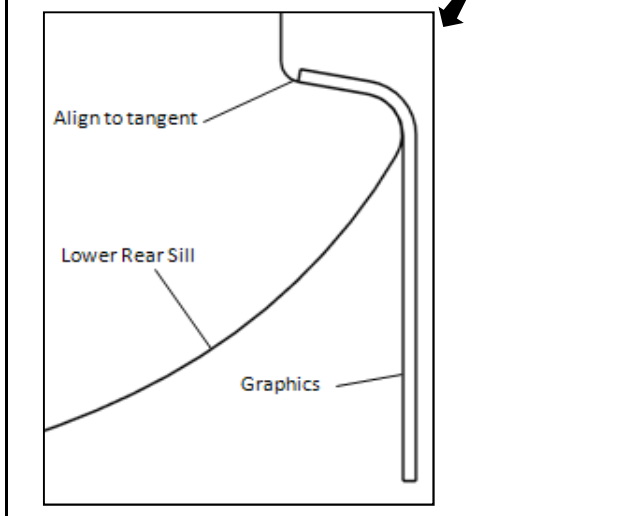
18) Continue to wet out entire graphic, from top down.

NOTE:

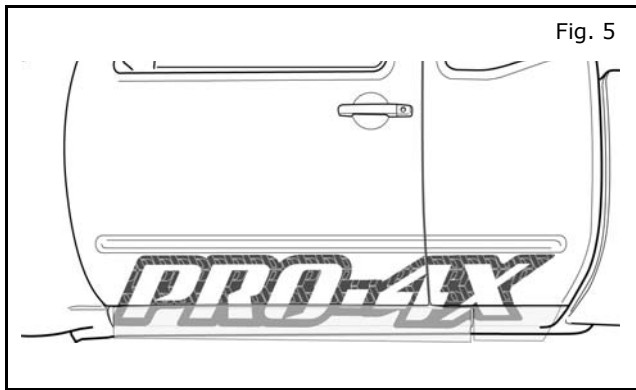
Make sure no bubbles are present before going to next step.

Re-squeegee if bubbles are present.

19) Remove pre-mask



INSTALLATION PROCEDURE:



20) Using same technique shown in Fig. 1 and 4, apply Front Sill graphics by aligning rear edge of pre-mask with front edge of pre-mask on rear sill graphics.

21) Open Door and align top edge of graphics to lower tangent of step at top of lower front sill.

22) Make sure front sill graphics line up with rear door graphics.

23) Wet out top portion of graphics first, ensuring entire top edge has adhered by using firm overlapping strokes.

24) Continue to wet out entire graphic, from top down.

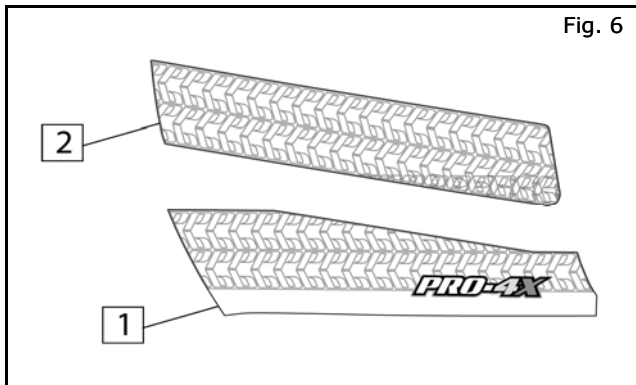
NOTE:

Make sure no bubbles are present before going to next step.

Re-squeegee if bubbles are present.

25) Remove Pre-mask

26) Repeat for other side

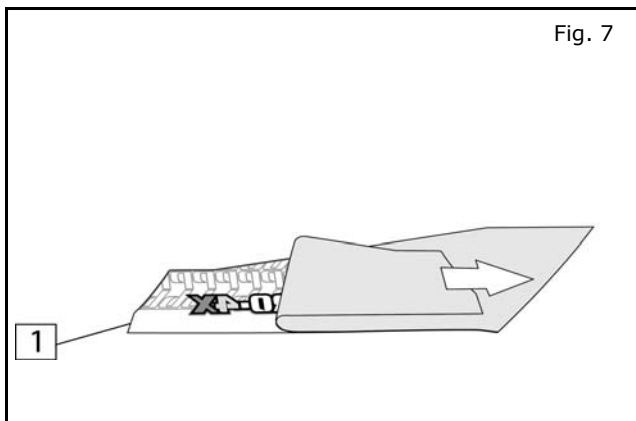


27) The Hood Graphics will be installed as two separate parts.

28) Spray Hood surface under part (1) with application solution.

NOTE:

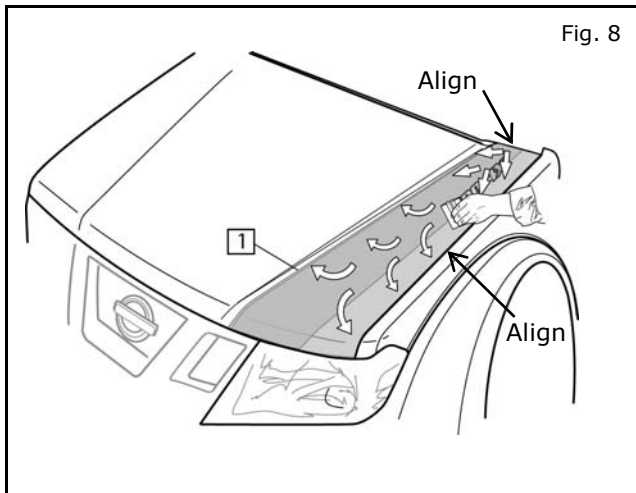
Be sure to use application solution for hood parts. Only soap and water.



29) Peel back liner from under part (1).

30) Spray adhesive side with an even mist of application solution.

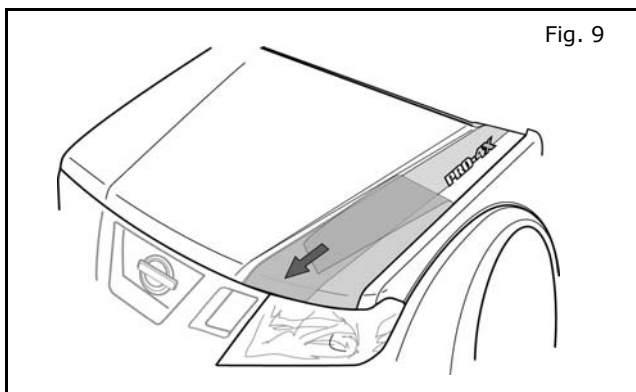
INSTALLATION PROCEDURE:



- 31) Align top and side edge of graphics with hood edges
- 32) Wet out top edge first, then wet out graphics working toward the front of hood using firm overlapping strokes.
- 33) Carefully inspect area wet out for bubbles.

NOTE:

If some of the front edge will not wet out, it is ok. When pre-mask is removed (Step 34), front edge of graphics will wet out easier.



- 34) Starting at rear outer edge of graphics, carefully remove pre-mask.
- 35) Using squeegee with protector wet out any edges that are not wet out.

NOTE:

An alcohol & water solution can be sprayed under edges if not adhering.

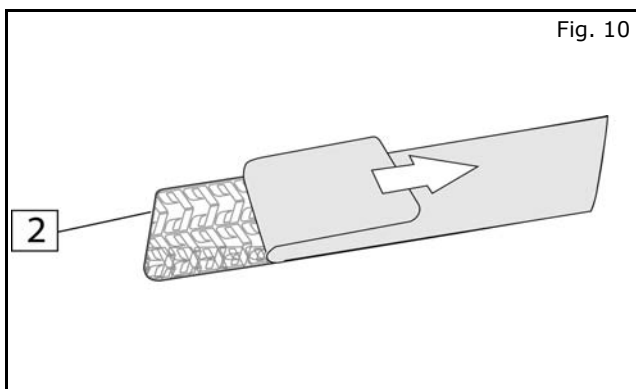
NOTE:

Inspect for bubbles. If a bubble with application solution is located, re-squeegee using a firm, fast stroke. If the bubble persists, use a 3M air release tool to puncture the base of the bubble.

- 36) Spray Hood surface under part (2) with application solution.

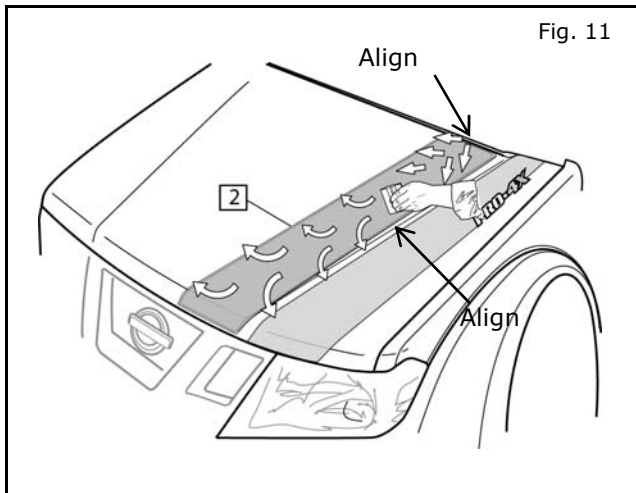
NOTE:

Be sure to use application solution for hood parts. Only soap and water.



- 37) Peel back liner from under part (2).
- 38) Spray adhesive side with an even mist of application solution.

INSTALLATION PROCEDURE:



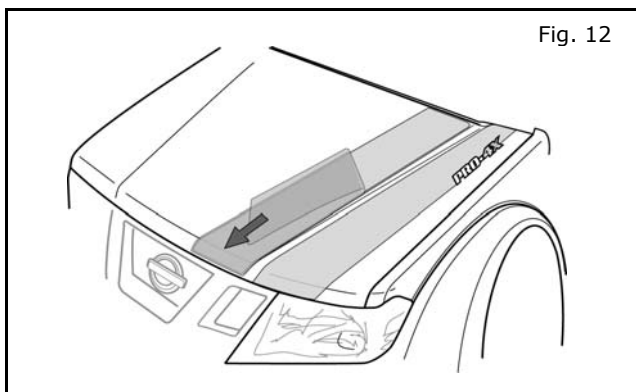
39) Align top and side edge of graphics with step feature line in hood.

40) Wet out top edge first, then wet out graphics working toward the front of hood using firm overlapping strokes.

41) Carefully inspect area wet out for bubbles.

NOTE:

If some of the front edge will not wet out, it is ok. When pre-mask is removed (Step 42), front edge of graphics will wet out easier.



42) Starting at rear outer edge of graphics, carefully remove pre-mask.

43) Using squeegee with protector wet out any edges that are not wet out.

NOTE:

An alcohol & water solution can be sprayed under edges if not adhering.

NOTE:

Inspect for bubbles. If a bubble with application solution is located, re-squeegee using a firm, fast stroke. If the bubble persists, use a 3M air release tool to puncture the base of the bubble.